

PJB Open Frame Power Supply

24V 240W 1 Phase / PJB-24V240W□□□

PJB

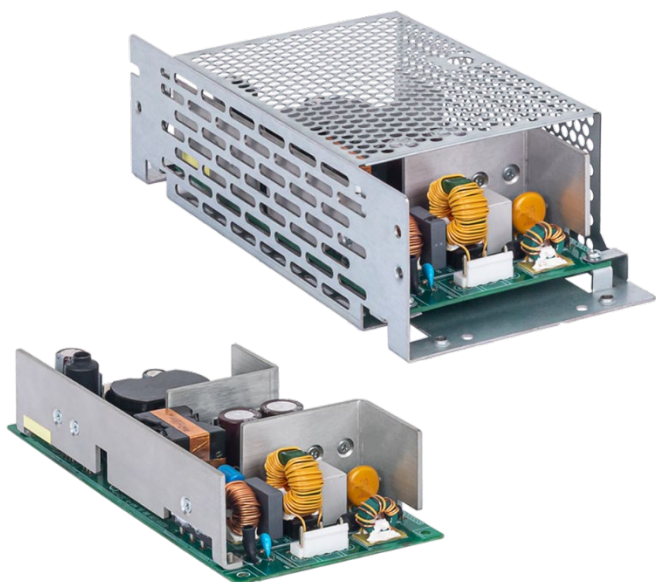
Highlights & Features

- Universal AC Input voltage range
- Up to 92.5% efficiency
- Power Boost of 200% for 10 seconds
- High PF > 0.97 and conforms to harmonic current
- IEC/EN 61000-3-2, Class A
- Conformal coating on PCBA to protect against common dust and chemical pollutants
- Versatile configuration options: Open Frame, L Frame, Enclosed
- Remote ON/OFF option for selected models
- Design compliance with Japan PSE (DENAN)

Safety Standards



CB Certified for worldwide use / PSE Compliance



Model Number:	PJB-24V240W□□□	
	Open Frame	Enclosed
Unit Weight:	0.44 kg (1.14 lb)	0.70 kg (1.54 lb)
Dimensions	180 x 84 x 42 mm	212 x 98 x 59 mm
(L x W x D):	(7.08 x 3.30 x 1.65 inch)	(8.35 x 3.86 x 2.32 inch)

General Description

The Open frame power supply PJB-24V240W□□□ comes with universal AC input at 85Vac to 264Vac. Other features include low leakage / Inrush current and conformal coating on the PCBAs to provide protection against dust and chemical pollutants. The built-in active PFC provides PF > 0.97 and fulfills Harmonic Current Emission according to IEC/EN 61000-3-2. The feature built-in Power Boost of 200% for 10 seconds enables reserve power to be always available for reliable startup of loads with high inrush current, thus eliminating the need of a more expensive power supply unit at higher power rating. Metal chassis and case cover are available as options for different installation preferences.

The product is certified for EMI standards according to EN 55032 and EMS according to EN 55024. The products conform to major international safety standards according to EN/UL 62368-1 standards and are fully compliant with RoHS Directive for environmental protection.

Model Information

PJB Open Frame Power Supply

Model Number	Input Voltage Range	Rated Output Voltage	Rated Output Current
PJB-24V240W□□□	85-264Vac (120-370Vdc)	24Vdc	10A

Model Numbering

					CC Code	
PJ	B -	24V	240W	□	□	□
Open Frame	Product Type B – Power Boost Series	Output Voltage	Output Power	Package Type B – Open Frame L – L Frame C – Enclosed	Remote ON/OFF Function N – No Remote ON/OFF R – With Remote ON/OFF	Connector Type A – JST* J – IP20*

*Options



PJB Open Frame Power Supply

24V 240W 1 Phase / PJB-24V240W□□□

Specifications

Input Ratings / Characteristics

Nominal Input Voltage	100-240Vac	
Input Voltage Range	85-264Vac	
Nominal Input Frequency	50-60Hz	
Input Frequency Range	47-63Hz	
DC Input Voltage Range*	120-370Vdc	
Input Current	2.8A typ. @ 100Vac, 1.5A typ. @ 200Vac	
Efficiency at 100% Load	91% typ. @ 100Vac, 92.5% typ. @ 200Vac	
Max Power Dissipation	0% load	< 1.5W @ 100Vac PJB-24V240W□R□, Output OFF < 6.0W @ 100Vac PJB-24V240W□N□
	100% load	< 24W @ 100Vac PJB-24V240W□R□, PJB-24V240W□N□
Max Inrush Current (Cold Start)	15A typ. @ 100Vac, 30A typ. @ 200Vac	
Power Factor at 100% Load	0.98 typ. @ 100Vac, 0.97 typ. @ 200Vac	
Leakage Current	0.2mA @ 100Vac, 0.4mA @ 200Vac	

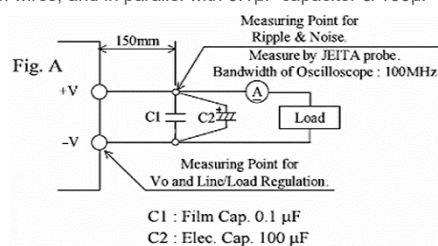
*Fulfills test conditions for DC input. Safety approval for DC input can be obtained upon request.

Output Ratings / Characteristics**

Nominal Output Voltage	24Vdc
Factory Set Point Tolerance	24Vdc ± 1%
Output Voltage Adjustment Range	21.6-26.4Vdc
Output Current	10A (continuously operating at 24V) 20A (Power Boost for 10 seconds at 24V, refer to the details in the Functions section)
Output Power	240W (continuously operating at 24V) 480W (Power Boost for 10 seconds at 24V, refer to the details in the Functions section)
Line Regulation	< 96mV
Load Regulation	< 150mV
Temperature Coefficient	< 0.02% / °C
PARD*** (20MHz)	< 150mVpp @ > 0°C to 50°C < 180mVpp @ -10°C to 0°C
Start-up Time	350ms typ. @ 100Vac (100% load)
Hold-up Time	20ms typ. @ 100Vac (100% load)
Dynamic Response (Overshoot & Undershoot O/P Voltage)	± 5% @ 0-50% load and 50-100% load (Slew Rate: 0.1A/μS)
Start-up with Capacitive Loads	8,000μF Max

**For power de-rating from 50°C to 70°C, see power de-rating on page 3.

***PARD is measured with an AC coupling mode, 150mm wires, and in parallel with 0.1μF capacitor & 100μF electrolytic capacitor.



PJB Open Frame Power Supply

24V 240W 1 Phase / PJB-24V240W□□□

Mechanical

Case Cover / Chassis		SGCC
Dimensions	Open Frame	180 x 84 x 42 mm (7.08 x 3.30 x 1.65 inch)
	Enclosed	212 x 98 x 59 mm (8.35 x 3.86 x 2.32 inch)
Unit Weight	Open Frame	0.44 kg (1.4 lb)
	Enclosed	0.70 kg (1.54 lb)
Indicator		NA
Cooling System		Convection / Forced Cooling
Terminal	Input	JST B3P5-VH (LF)(SN)
	Output (-)	JST B7P-VH (LF)(SN),
	Output (+)	JST B6P-VH (LF)(SN)
Wire		AWG 22-18
Noise (1 Meter from power supply)		Sound Pressure Level (SPL) < 25dBA

Environment

Surrounding Air Temperature	Operating	-10°C to +70°C
	Storage	-25°C to +85°C
Power De-rating	Temperature (Mounting Orientation A)	Convection Open Frame / L Frame: > 50°C de-rate power by 2% / °C Enclosed: > 40°C de-rate power by 2% / °C
		Forced Cooling Open Frame / L Frame: > 60°C de-rate power by 2% / °C Enclosed: > 50°C de-rate power by 2% / °C (For other mounting orientations, please see pages 11-12)
	Input Voltage	< 90Vac de-rate power by 2% / V
Operating Humidity		5 to 95% RH (Non-Condensing)
Operating Altitude		0 to 5,000 Meters (16,400 ft.) for ITE
Shock Test (Non-Operating)		IEC 60068-2-27, Half Sine Wave: 50G for a duration of 11ms, 3 shocks for each 3 directions
Vibration (Operating)		IEC 60068-2-6, Sine Wave: 10Hz to 55Hz @ 19.6m/S ² (2G peak); 10 min per cycle, 60 min per axis for all X, Y, Z direction
Pollution Degree		2

Protections

Overvoltage	27.6-33.6V, Latch Mode
Overload / Overcurrent	> 205% of rated load current, Hiccup Mode, Non-Latching (Auto-Recovery)
Over Temperature	Latch Mode
Short Circuit	Hiccup Mode, Non-Latching (Auto-Recovery when the fault is removed)
Internal Fuse	T8AH
Protection Against Shock	Class I with PE* connection

*PE: Primary Earth

PJB Open Frame Power Supply

24V 240W 1 Phase / PJB-24V240W□□□

Reliability Data

MTBF	JEITA RCR-9102B	> 200,000 hrs.
Expected Cap Life Time		10 years (115Vac, 50% load @ 40°C)

Safety Standards / Directives

Safety Entry Low Voltage		SELV (EN 60950-1)
Electrical Safety	TUV Bauart PSE Compliance UL/cUL recognized CB scheme	EN 60950-1 / EN 62368-1 Design to meet DENAN at 100Vac - 240Vac UL 62368-1 IEC 60950-1 / IEC 62368-1
CE		In conformance with EMC Directive 2014/30/EU and Low Voltage Directive 2014/35/EU
Galvanic Isolation	Input to Output	3.0KVac
	Input to Ground	2.0KVac
	Output to Ground	0.5KVac

EMC

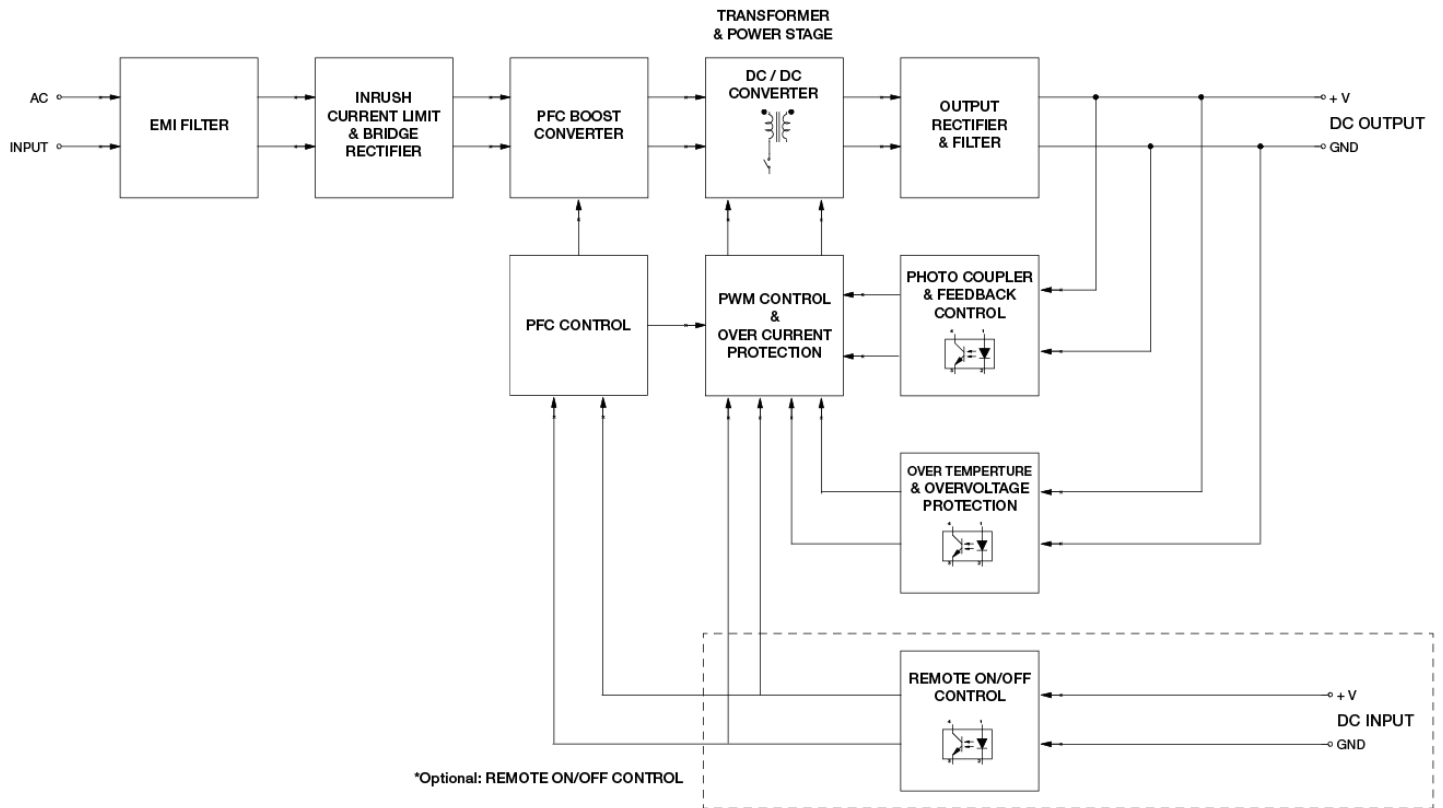
Emissions (CE & RE)		CISPR 32, EN 55032, FCC Title 47: Class B		
Immunity		EN 55024		
Electrostatic Discharge	IEC 61000-4-2	Level 4 Criteria A ¹⁾ Air Discharge: 15kV Contact Discharge: 8kV		
Radiated Field	IEC 61000-4-3	Level 3 Criteria A ¹⁾ 80MHz-1GHz, 10V/M with 1kHz tone / 80% modulation		
Electrical Fast Transient / Burst	IEC 61000-4-4	Level 4 Criteria A ¹⁾ 4kV		
Surge	IEC 61000-4-5	Level 4 Criteria A ¹⁾ Common Mode ³⁾ : 4kV Differential Mode ⁴⁾ : 2kV		
Conducted	IEC 61000-4-6	Level 3 Criteria A ¹⁾ 150kHz-80MHz, 10Vrms		
Power Frequency Magnetic Fields	IEC 61000-4-8	Level 4 Criteria A ¹⁾ Magnetic field strength 30A/Meter		
Voltage Dips and Interruptions	IEC 61000-4-11	0% of 100Vac 40% of 100Vac 70% of 100Vac 0% of 200Vac 40% of 200Vac 70% of 200Vac	20ms, 5000ms 200ms 500ms 20ms, 5000ms 200ms 500ms	Criteria B ²⁾ Criteria B ²⁾ Criteria B ²⁾ Criteria B ²⁾ Criteria B ²⁾ Criteria B ²⁾
Harmonic Current Emission		IEC/EN 61000-3-2, Class A and Class D		
Voltage Fluctuation and Flicker		IEC/EN 61000-3-3		
Voltage Sag Immunity SEMI F47 – 0706		80% of 200Vac 70% of 200Vac 50% of 200Vac	160Vac, 1000ms 140Vac, 500ms 100Vac, 200ms	Criteria A ¹⁾ Criteria A ¹⁾ Criteria A ¹⁾

1) Criteria A: Normal performance within the specification limits
 2) Criteria B: Temporary degradation or loss of function which is self-recoverable
 3) Asymmetrical: Common mode (Line to earth)
 4) Symmetrical: Differential mode (Line to line)

PJB Open Frame Power Supply

24V 240W 1 Phase / PJB-24V240W□□□

Block Diagram



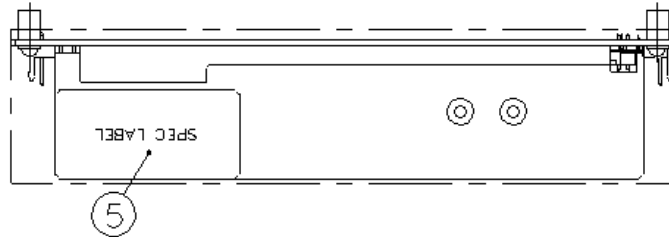
PJB Open Frame Power Supply

24V 240W 1 Phase / PJB-24V240W□□□

Dimensions

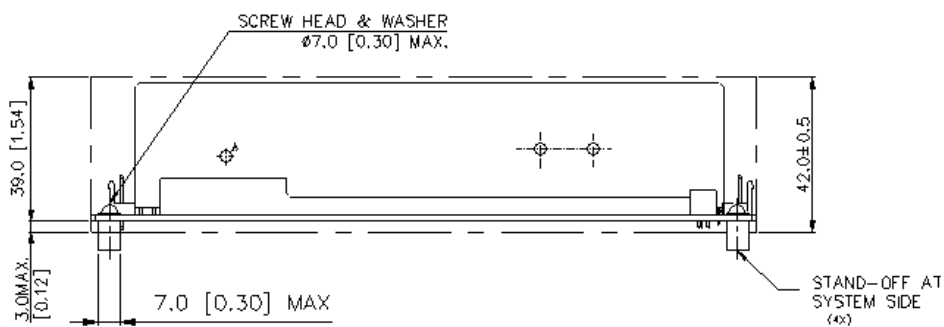
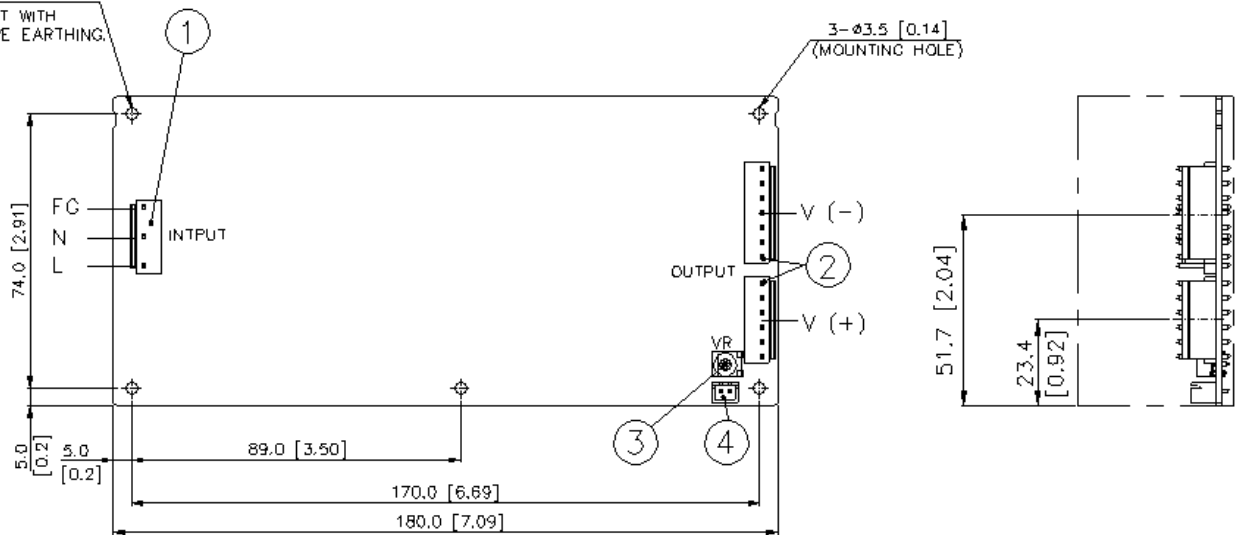
PJB-24V240WB□□A (Open Frame) with JST Connector

L x W x D: 180 x 84 x 42 mm [7.08 x 3.30 x 1.65 inch]



∅3.7 [0.15] (MOUNTING HOLE)

PE: MUST CONNECT WITH SYSTEM PROTECTIVE EARTHING.



Item	Device Description
1	Input Connector (CN1)
2	Output Connector (CN100, CN101)
3	VR
4	Remote ON/OFF (JST B2B-XH-A)
5	Spec Label

Notes

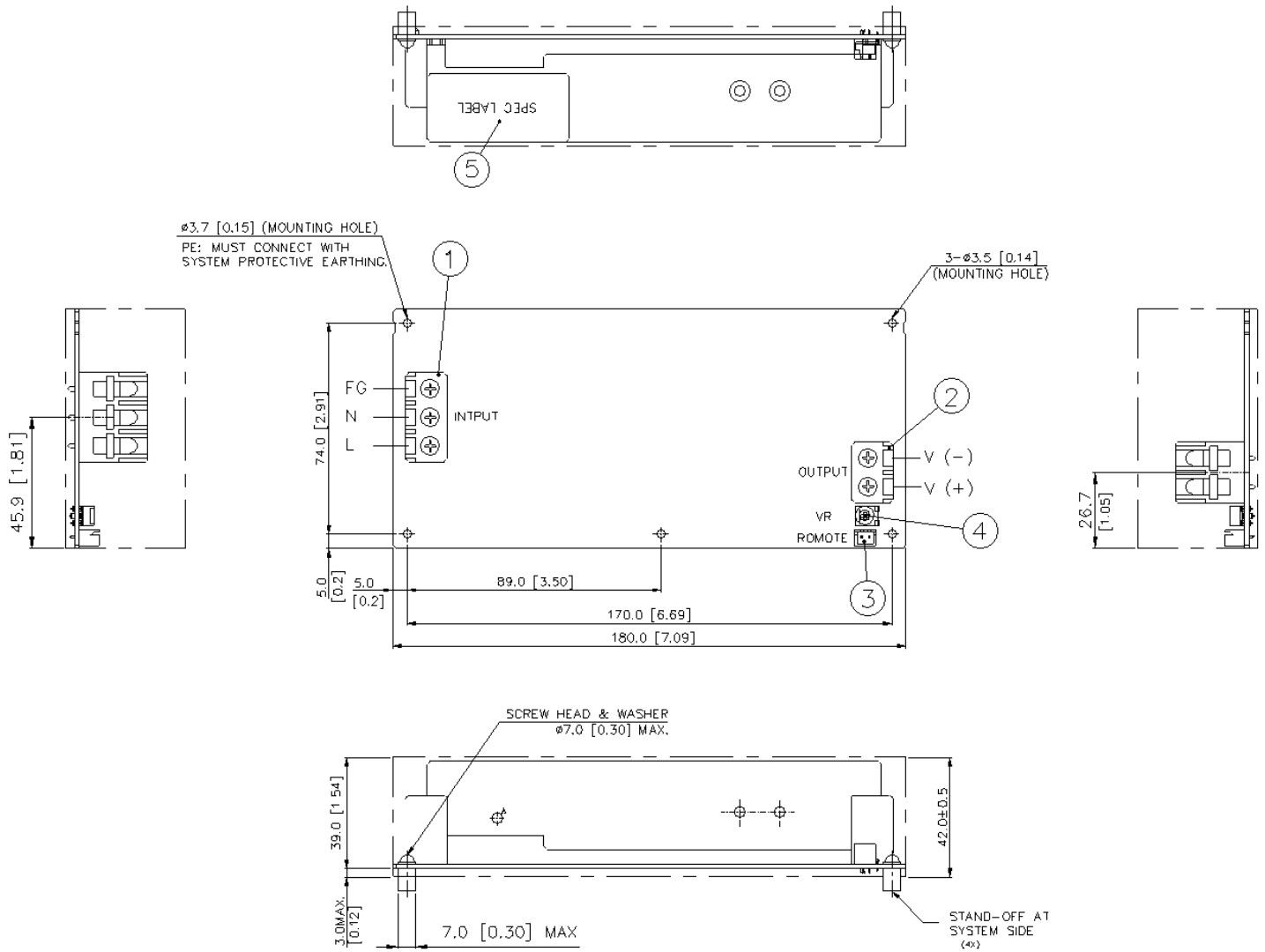
- Dimensions are in mm [inch]
- For information on Mounting Torque, and I/O Connector and Housing, please refer to the Instruction Manual.

PJB Open Frame Power Supply

24V 240W 1 Phase / PJB-24V240W□□□

PJB-24V240WB□J (Open Frame) with Emuden Connector

L x W x D: 180 x 84 x 42 mm [7.08 x 3.30 x 1.65 inch]



Item	Device Description
1	Input Connector (CN1)
2	Output Connector (CN102)
3	VR
4	Remote ON/OFF (JST B2B-XH-A)
5	Spec Label

Notes

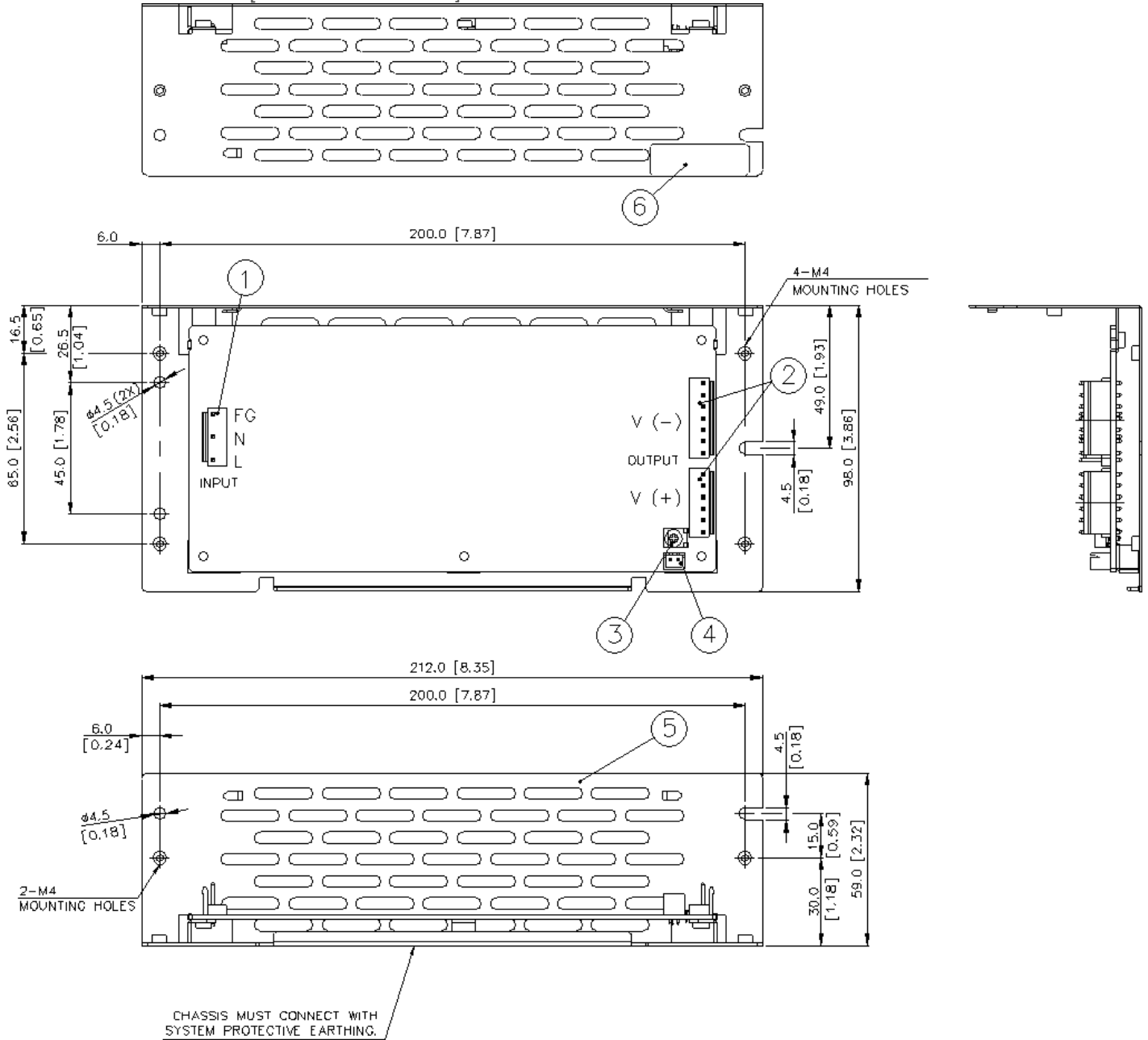
- Dimensions are in mm [inch]
- For information on Mounting Torque, and I/O Connector and Housing, please refer to the Instruction Manual.

PJB Open Frame Power Supply

24V 240W 1 Phase / PJB-24V240W□□□

PJB-24V240WL□A (L Frame) with JST Connector

L x W x D: 212 x 98 x 59 mm [8.35 x 3.86 x 2.32 inch]



Item	Device Description
1	Input Connector (CN1)
2	Output Connector (CN100, CN101)
3	VR
4	Remote ON/OFF (JST B2B-XH-A)
5	Chassis
6	Rating Label

Notes

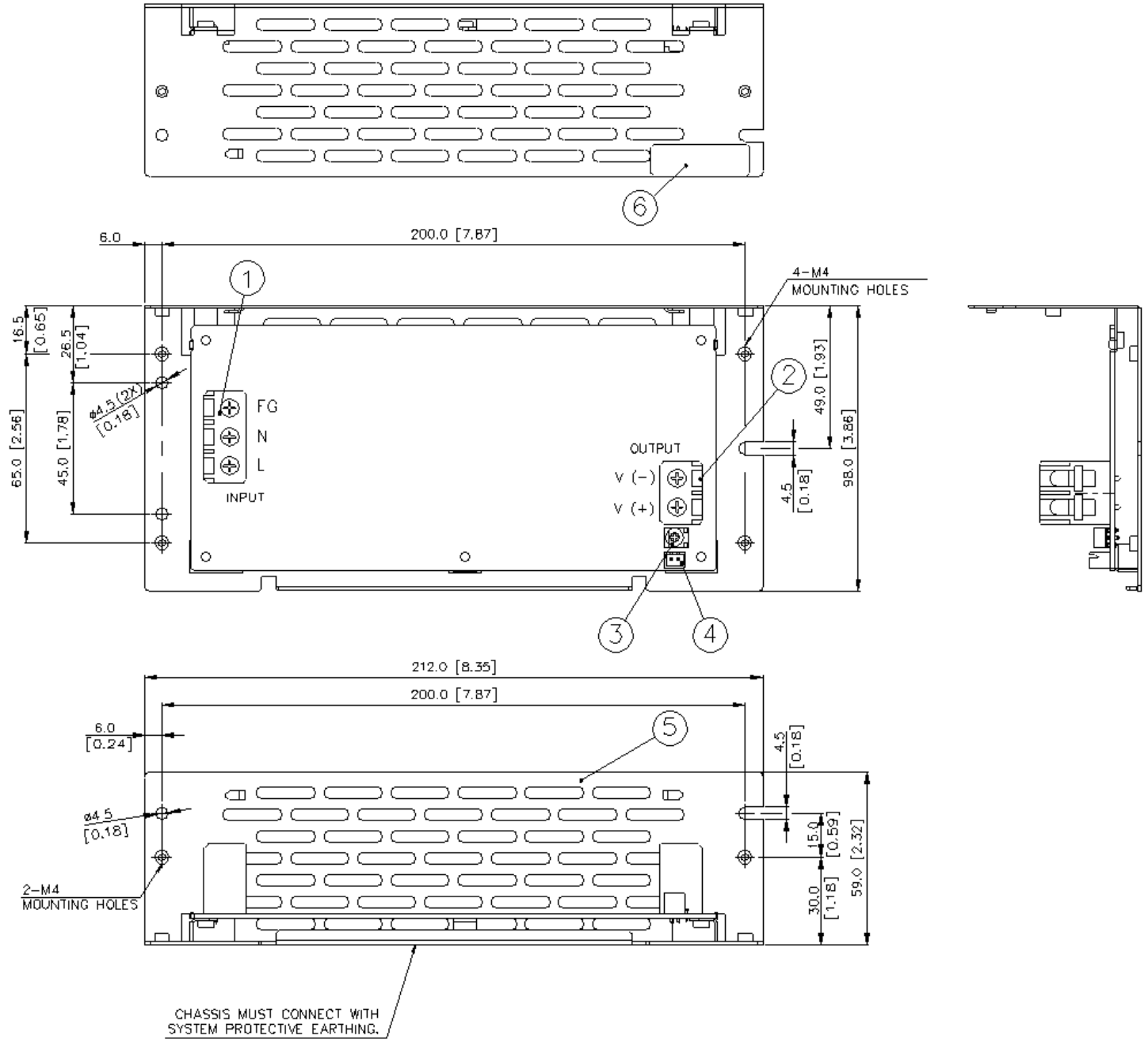
- Dimensions are in mm [inch]
- For information on Mounting Torque, and I/O Connector and Housing, please refer to the Instruction Manual.

PJB Open Frame Power Supply

24V 240W 1 Phase / PJB-24V240W□□□

PJB-24V240WL□□J (L Frame) with Emuden Connector

L x W x D: 212 x 98 x 59 mm [8.35 x 3.86 x 2.32 inch]



Item	Device Description
1	Input Connector (CN1)
2	Output Connector (CN102)
3	VR
4	Remote ON/OFF (JST B2B-XH-A)
5	Chassis
6	Rating Label

Notes

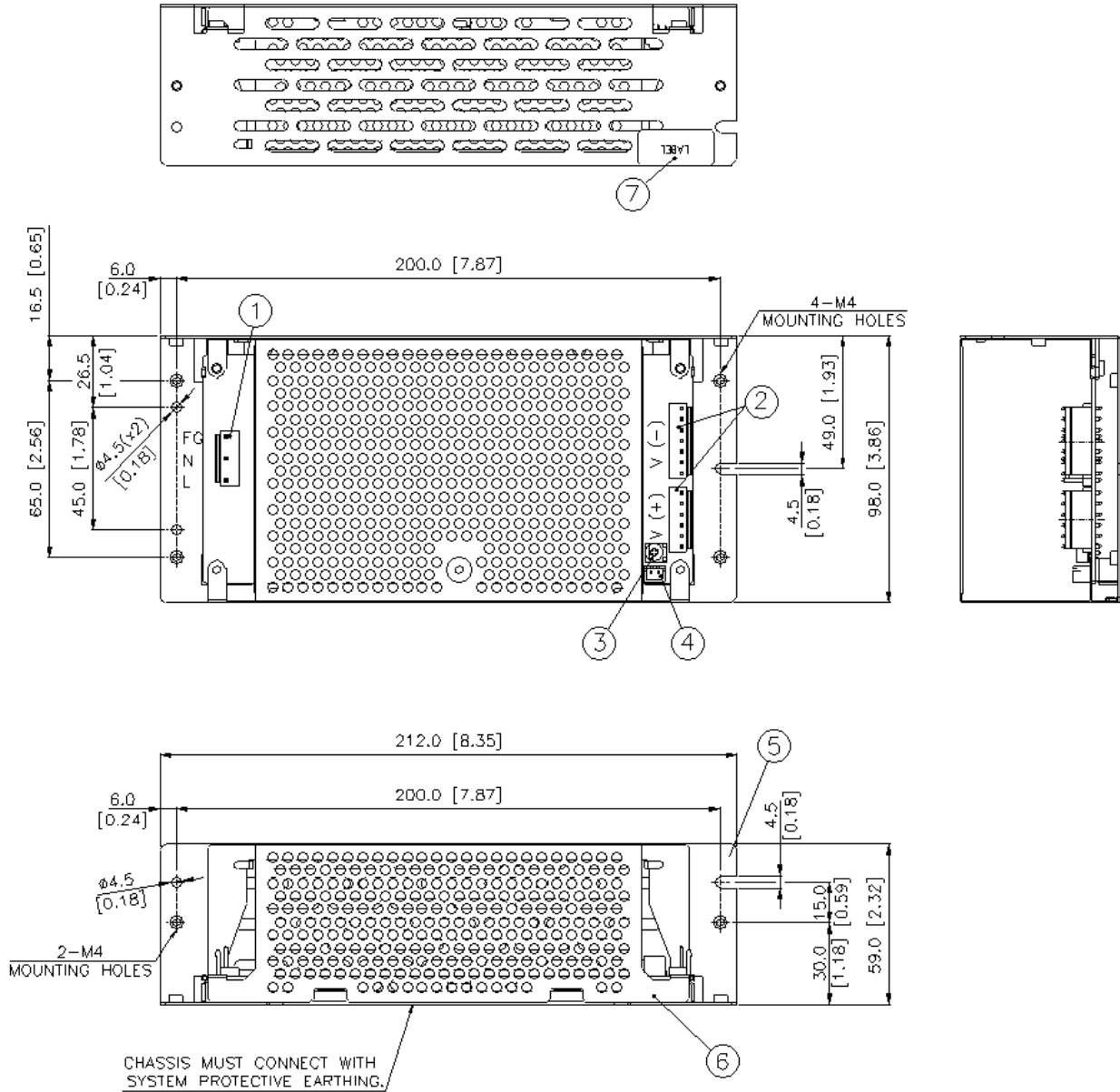
- Dimensions are in mm [inch]
- For information on Mounting Torque, and I/O Connector and Housing, please refer to the Instruction Manual.

PJB Open Frame Power Supply

24V 240W 1 Phase / PJB-24V240W□□□

PJB-24V240WC□□A (Enclosed) with JST Connector

L x W x D: 212 x 98 x 59 mm [8.35 x 3.86 x 2.32 inch]



Notes

- Dimensions are in mm [inch]
- For information on Mounting Torque, and I/O Connector and Housing, please refer to the Instruction Manual.

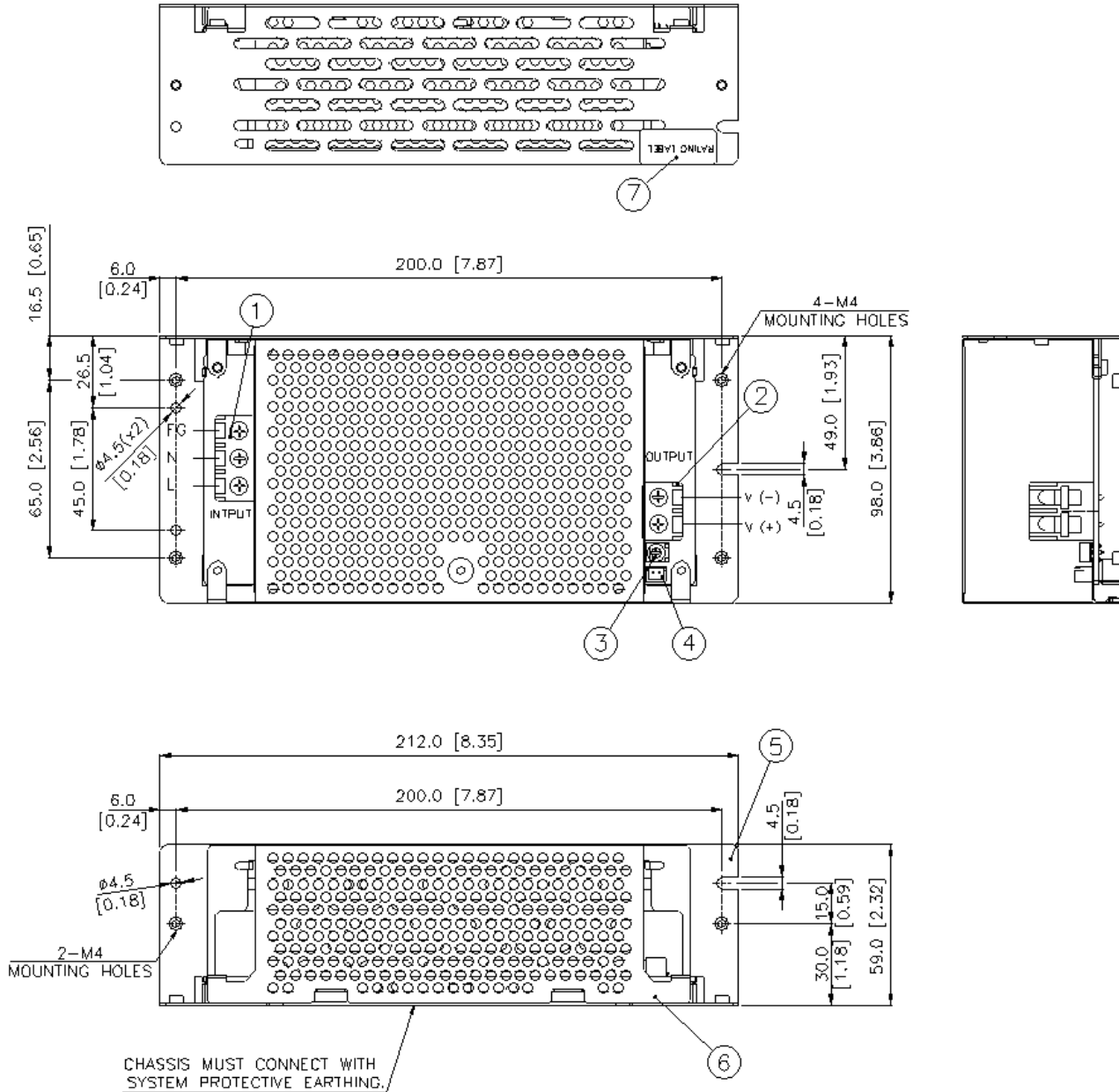
Item	Device Description
1	Input Connector (CN1)
2	Output Connector (CN100, CN101)
3	VR
4	Remote ON/OFF (JST B2B-XH-A)
5	Chassis
6	Cover
7	Rating Label

PJB Open Frame Power Supply

24V 240W 1 Phase / PJB-24V240W□□□

PJB-24V240WC□J (Enclosed) with Emuden Connector

L x W x D: 212 x 98 x 59 mm [8.35 x 3.86 x 2.32 inch]



Item	Device Description
1	Input Connector (CN1)
2	Output Connector (CN102)
3	VR
4	Remote ON/OFF (JST B2B-XH-A)
5	Chassis
6	Cover
7	Rating Label

Notes

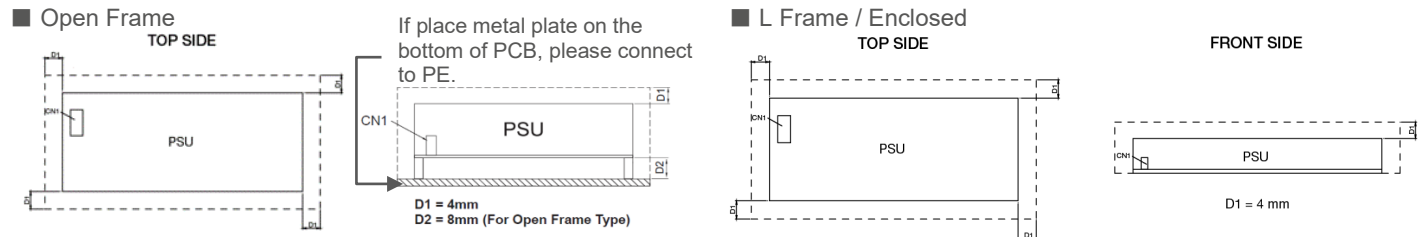
- Dimensions are in mm [inch]
- For information on Mounting Torque, and I/O Connector and Housing, please refer to the Instruction Manual.

PJB Open Frame Power Supply

24V 240W 1 Phase / PJB-24V240W□□□

Assembly & Installation

Assembly Reference



For safety reasons, please ensure the mounted device is kept at **a) For Open Frame Type $\geq 8\text{mm}$ (0.315 inch), b) For with Case Type $\geq 4\text{mm}$ (0.16 inch)** safety distance at all sides from other components and equipments. **Please insert an insulation sheet between the system and product, if the safety distance is less than 4mm (0.16 inch).**

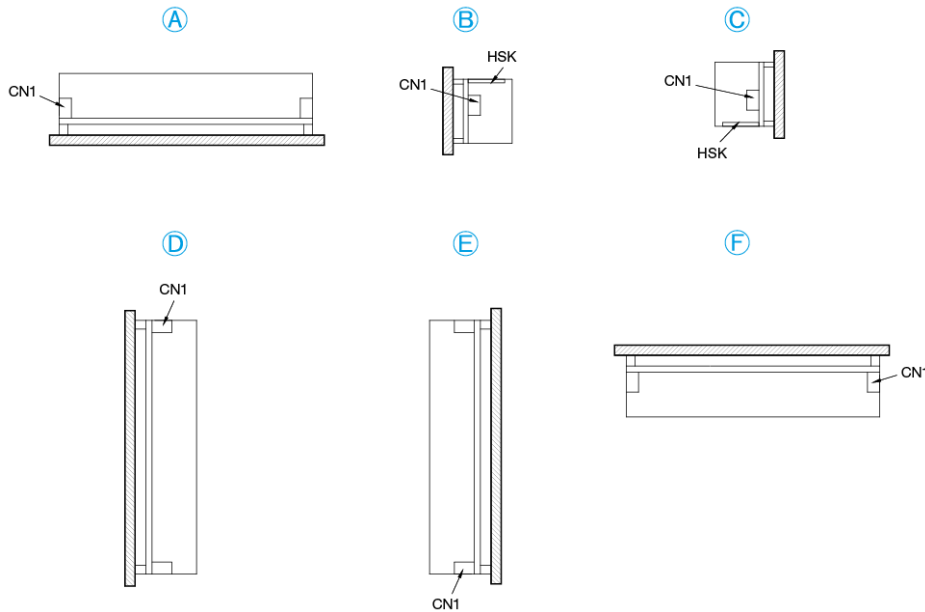
- Use flexible cable (stranded or solid) of AWG No. 22-18. Please refer to Table 1 for the recommended Housing and Terminal.
- For the Remote ON/OFF function, use flexible cable (stranded or solid) of AWG No. 28-22.

Table 1		Connector (Board Mounting)	Housing	Terminal
Input (JST)		B3P5-VH(LF)(SN)	VHR-5N	SVH-21T-P1.1
Output (JST)	V-	B7P-VH(LF)(SN)	VHR-7N	
	V+	B6P-VH(LF)(SN)	VHR-6N	
Remote ON/OFF Function (Option)		B2B-XH-A(LF)(SN)	XHP-2	SXH-001T-P0.6

PJB Open Frame Power Supply

24V 240W 1 Phase / PJB-24V240W□□□

Mounting Orientation



- Any excessive twisting or bending may damage the device's PCB. Please handle the device with care.
- The device is not recommended to be placed on low thermal conductive surfaces. For example, plastics.
- Prevent any foreign metal, particles or conductors from entering the device through the openings during installation. It may cause: -Electric shock; Safety hazard; Product failure.
- **The power supply must be mounted by metal screws onto a grounded metal surface. It is highly recommended that the Earth terminal on the connector be connected to the grounded metal surface.**

Engineering Data

Output Load De-rating VS Surrounding Air Temperature (Convection)

■ Open Frame / L Frame

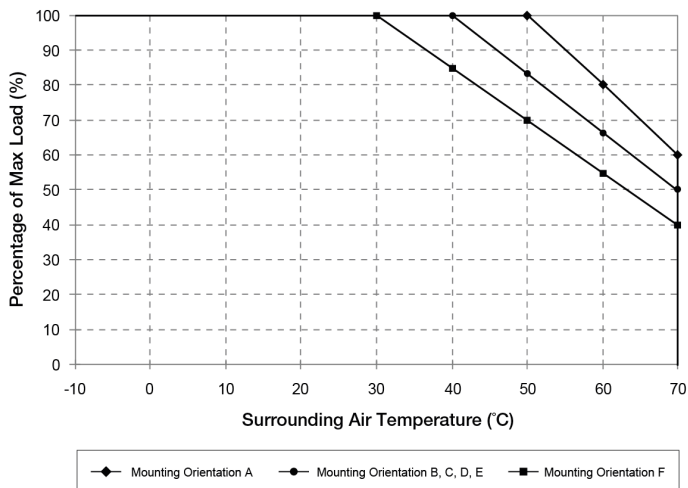


Fig. 1.1 De-rating for Mounting Orientation A
 > 50°C de-rate power by 2% / °C
 De-rating for Mounting Orientation B, C, D, E
 > 40°C de-rate power by 1.66% / °C
 De-rating for Mounting Orientation F
 > 30°C de-rate power by 1.5% / °C

■ Enclosed

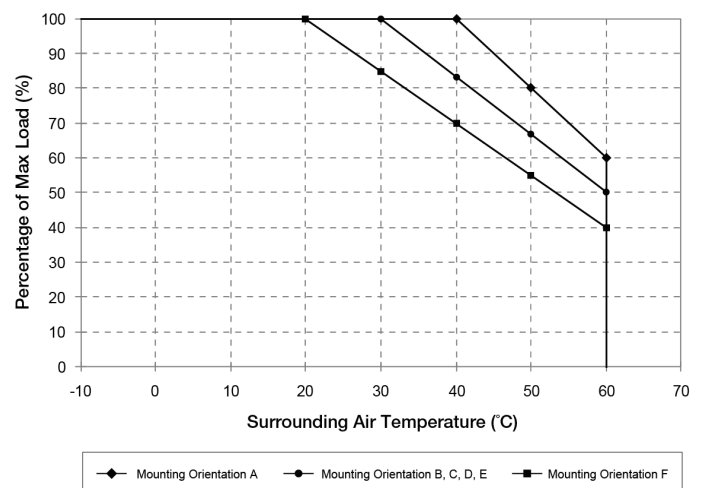


Fig. 1.2 De-rating for Mounting Orientation A
 > 40°C de-rate power by 2% / °C
 De-rating for Mounting Orientation B, C, D, E
 > 30°C de-rate power by 1.66% / °C
 De-rating for Mounting Orientation F
 > 20°C de-rate power by 1.5% / °C

PJB Open Frame Power Supply

24V 240W 1 Phase / PJB-24V240W□□□

Output Load De-rating VS Surrounding Air Temperature (Forced Cooling: Air Velocity > 0.7m/s)

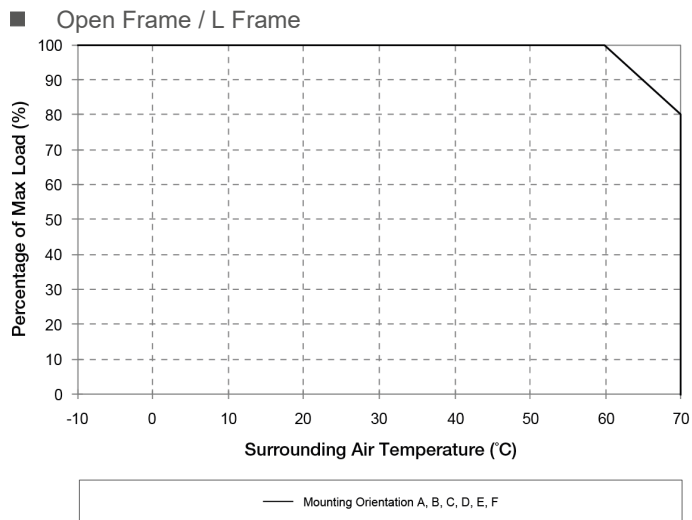
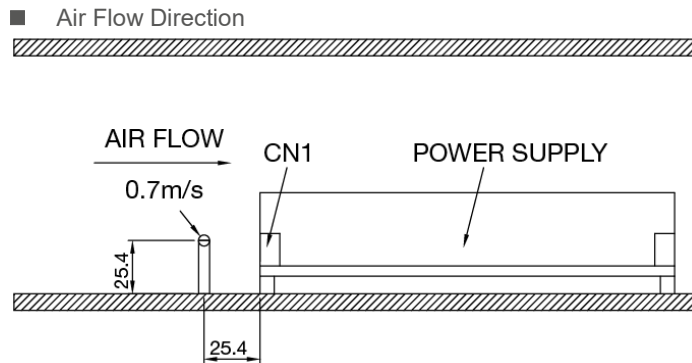


Fig.1.3 De-rating for Mounting Orientation A to F
> 60°C de-rate power by 2% / °C

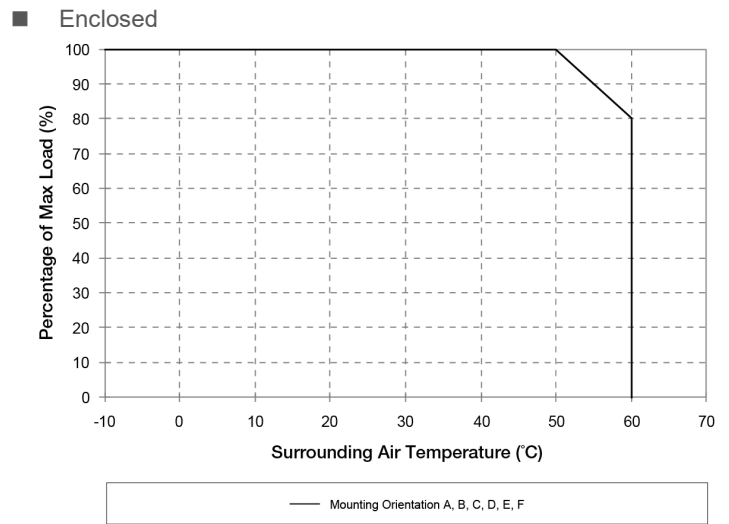


Fig.1.4 De-rating for Mounting Orientation A to F
> 50°C de-rate power by 2% / °C

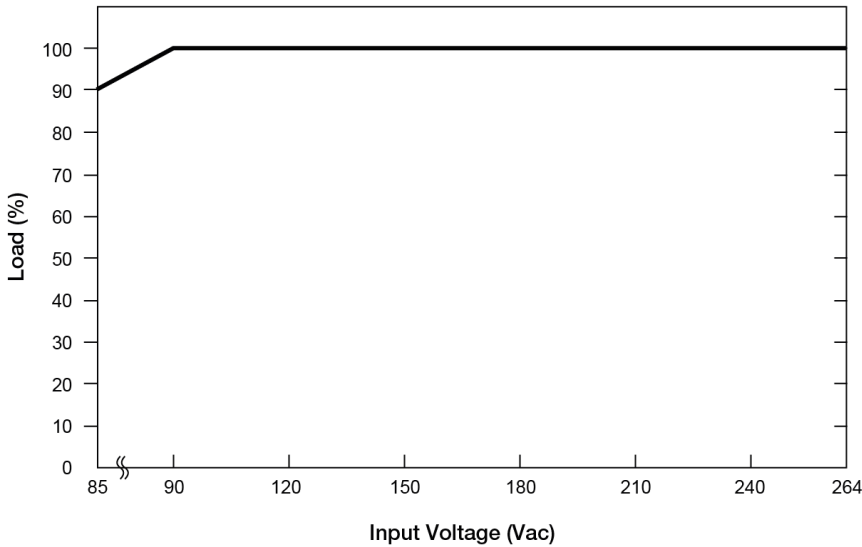
Notes

1. Power supply components may degrade, or be damaged, when the power supply is continuously used outside the shaded region, refer to the graphs shown above.
2. If the output capacity is not reduced when the surrounding air temperature is more than the upper limit temperature, the device will run into Over Temperature Protection. When activated, the output voltage will latch off, until the surrounding air temperature is lowered or the load is reduced as far as necessary to keep the device in working condition, and require removal/re-application of input AC voltage in order to restart.
3. Depending on the surrounding air temperature and output load delivered by the power supply, the device housing can be very hot!
4. If the device has to be mounted in any other orientation, please contact info@deltapsu.com for more details.

PJB Open Frame Power Supply

24V 240W 1 Phase / PJB-24V240W□□□

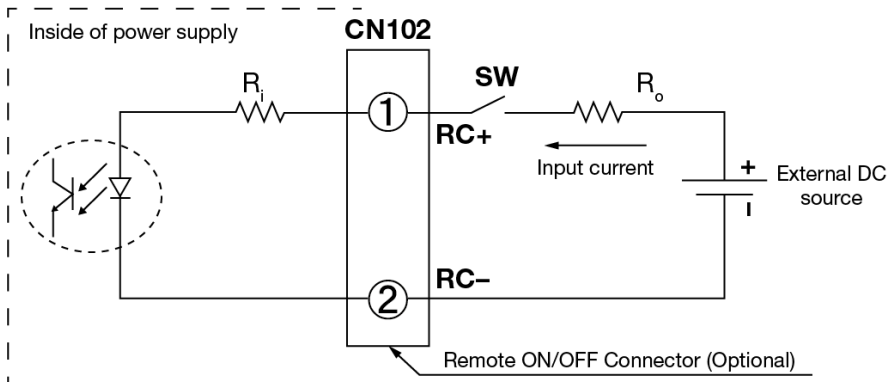
Output Load De-rating VS. Input Voltage



■ No output power de-rating for the input voltage range from 90Vac to 264Vac

Functional Manual

Remote ON/OFF Function



You can remotely control the power supply unit to turn ON/OFF by using an external DC source. Follow the DC power source voltage and current limiting defined in the table below.

Built-in Resistor R_i (ohm)	Voltage Between RC+ and RC- (V)		Input Current (mA)
	Output ON	Output OFF	
1k	5-12.5	0-0.5	20 Max

Notes

1. Remote ON/OFF circuits are isolated from input, output and PE.
2. Please check if the polarity of the wire connector is the same as the external DC source. If not, the power would not turn on and the internal components may be damaged.
3. You do not need an external resistance R_o for current limit while the output voltage of external DC source is within the range of 5-12.5V. If the output voltage exceeds 12.5V, please use the following equation for the value of current limit resistance R_o .

$$R_o = \frac{V_{cc} - (3.5 + 0.006R_i)}{0.006}$$

PJB Open Frame Power Supply

24V 240W 1 Phase / PJB-24V240W□□□

Functions

Start-up Time

The time required for the output voltage to reach 90% of its final steady state set value, after the input voltage is applied.

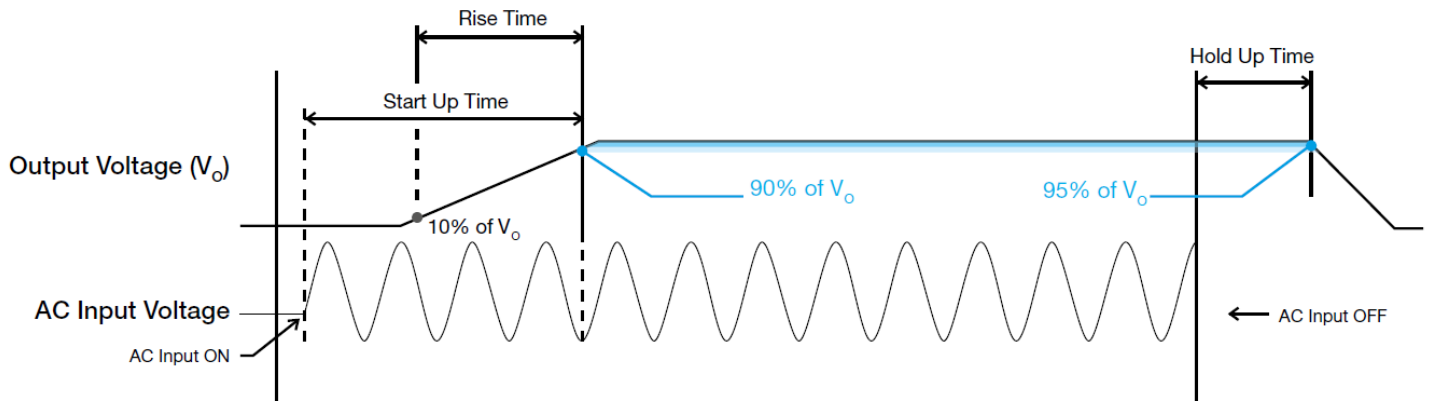
Rise Time

The time required for the output voltage to change from 10% to 90% of its final steady state set value.

Hold-up Time

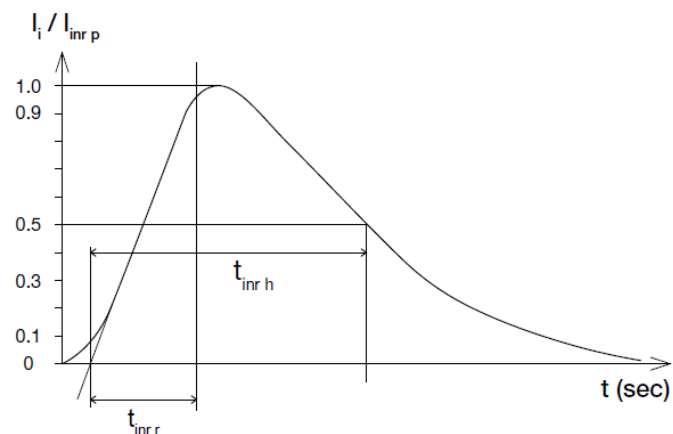
Time between the collapse of the AC input voltage, and the output falling to 95% of its steady state set value.

■ Graph illustrating the Start-up Time, Rise Time, and Hold-up Time



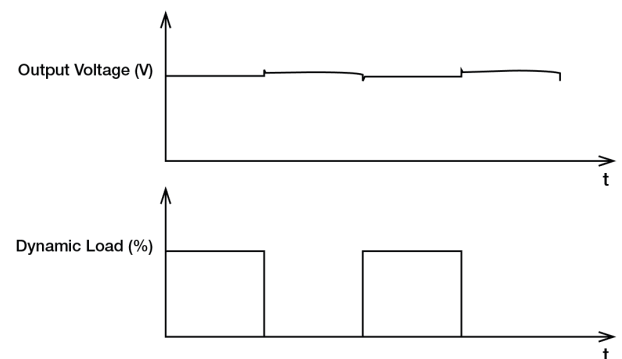
Inrush Current

Inrush current is the peak, instantaneous, input current measured and, occurs when the input voltage is first applied. For AC input voltages, the maximum peak value of inrush current will occur during the first half cycle of the applied AC voltage. This peak value decreases exponentially during subsequent cycles of AC voltage.



Dynamic Response

The power supply output voltage will remain within $\pm 5\%$ of its steady state value, when subjected to a dynamic load from 0 to 100% of its rated current.

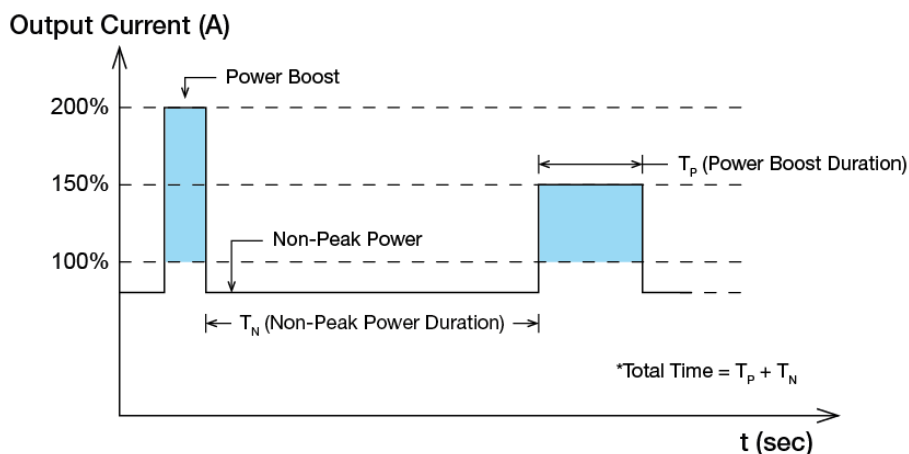


PJB Open Frame Power Supply

24V 240W 1 Phase / PJB-24V240W□□□

Power Boost

Power Boost is the reserve power available constantly that allows reliable startup to support sudden and short spike of loads with high inrush current typically during turn on to remove the need of more expensive higher rated power supply unit. After the output has reached its steady state set value, the power supply can support surge loads with a higher short-term power demand up to 200% of maximum rated load (I_o Max), for a maximum duration of 10 seconds. The Power Boost is also available to repeatedly basis with according to the condition of an average (R.M.S) output power shall not exceed continuous operating condition or refer to duty cycle calculation below.



$$Duty\ cycle\ (\%) = \frac{T_P}{Total\ Time} ; (T_P \leq 10\ sec)$$

$$Average\ Output\ Power\ (P_{Avg}) = \frac{(Power\ Boost \times T_P) + (Non-Peak\ Power \times T_N)}{Total\ Time}$$

OR

$$Non-Peak\ Power = \frac{(P_{Avg} \times Total\ Time) - (Power\ Boost \times T_P)}{T_N}$$

■ An example of Power Boost and Average Output Power

Power Boost	Peak Power (W _P)	Power Boost Duration (T _P)	Duty Cycle	Non-Peak Power (W _N)	Non-Peak Power Duration (T _N)	Total Time (T)
200%	480W	10 sec	15%	197W	56.7 sec	66.67 sec
200%	480W	5 sec	15%	197W	28.33 sec	33.3 sec
150%	360W	10 sec	40%	160W	15 sec	25 sec
150%	360W	5 sec	40%	160W	7.5 sec	12.5 sec

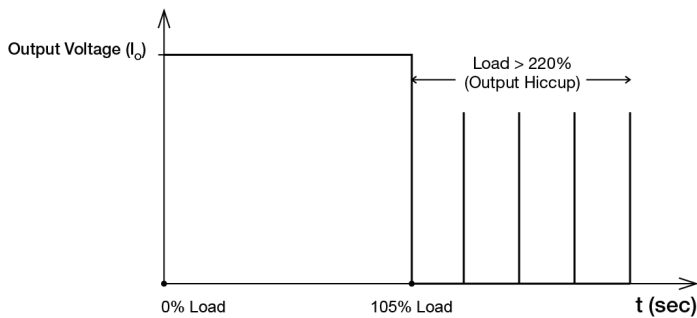
It is not recommended to prolong the duration of Power Boost to be longer than the specified duty cycle calculation, this may cause damage to the PSU.

PJB Open Frame Power Supply

24V 240W 1 Phase / PJB-24V240W□□□

Overload & Overcurrent Protections (Auto-Recovery)

The power supply's Overload (OLP) and Overcurrent (OCP) Protections will be activated when output current exceeds 220% of I_o (Max load). In such occurrence, the V_o (output voltage) will start to droop and once the power supply has reached its maximum power limit, the protection will be activated and the power supply will go into "Hiccup mode" (Auto-Recovery). The power supply will recover once the fault condition of the OLP and OCP is removed and I_o is back within the specifications.



It is not recommended to prolong the duration of I_o when it is <220% but >100%, since it may cause damage to the PSU.

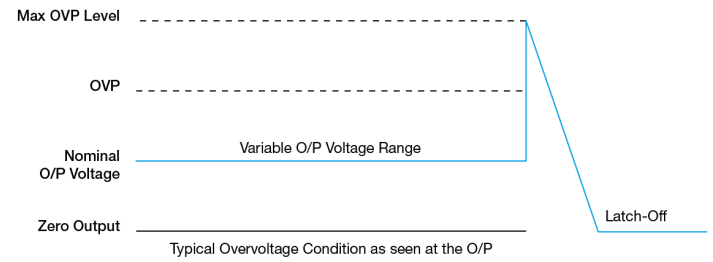
Short Circuit Protection (Auto-Recovery)

The power supply's output OLP/OCP function also provides protection against short circuits. When a short circuit is applied, the output current will operate in "Hiccup mode", as shown in the illustration in the OLP/OCP section on this page. The power supply will return to normal operation after the short circuit is removed.

Overvoltage Protection (Latch Mode)

The power supply's overvoltage circuit will be activated when its internal feedback circuit fails. The output voltage shall not exceed its specifications defined on Page 3 under "Protections". Power supply will latch off, and require removal/re-application of input AC voltage in order to restart.

The power supply should be latch.



Over Temperature Protection (Latch Mode)

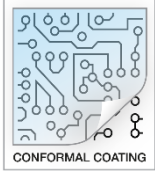
As described in load de-rating section, the power supply also has Over Temperature Protection (OTP). In the event of a higher operating temperature at 100% load; or, when the operating temperature is beyond what is recommended in the de-rating graph, the OTP circuit will be activated. When activated, power supply will latch off, until the surrounding air temperature drops to its normal operating temperature or the load is reduced as recommended in the de-rating graph. Removal/re-application of input AC voltage will then be required in order to restart.

PJB Open Frame Power Supply

24V 240W 1 Phase / PJB-24V240W□□□

Others

Conformal Coating

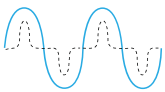


The Protective Coating Technology

Delta Electronics Group has designed the perfect dipping technique which penetrates everywhere including under device, and prevents leakage. The conformal coating dipping can be applied to PCBs or circuit board. The coating preserves the performance of precision electronic primarily by preventing ionizable contaminants such as salt from reaching circuit nodes, where the material slumps around sharp edges. This can be a problem especially in highly conversing atmosphere.

PFC – Norm EN 61000-3-2

Line Current Harmonic content



Typically, the input current waveform is not sinusoidal due to the periodical peak charging of the input capacitor. In industrial environment, complying with EN 61000-3-2 is only necessary under special conditions. Complying to this standard can have some technical drawbacks, such as lower efficiency as well as some commercial aspects such as higher purchasing costs. Frequently, the user does not profit from fulfilling this standard, therefore, it is important to know whether it is mandatory to meet this standard for a specific application.

Attention

Delta provides all information in the datasheets on an “AS IS” basis and does not offer any kind of warranty through the information for using the product. In the event of any discrepancy between the information in the catalog and datasheets, the datasheets shall prevail (please refer to www.DeltaPSU.com for the latest datasheets information). Delta shall have no liability of indemnification for any claim or action arising from any error for the provided information in the datasheets. Customer shall take its responsibility for evaluation of using the product before placing an order with Delta.

Delta reserves the right to make changes to the information described in the datasheets without notice.